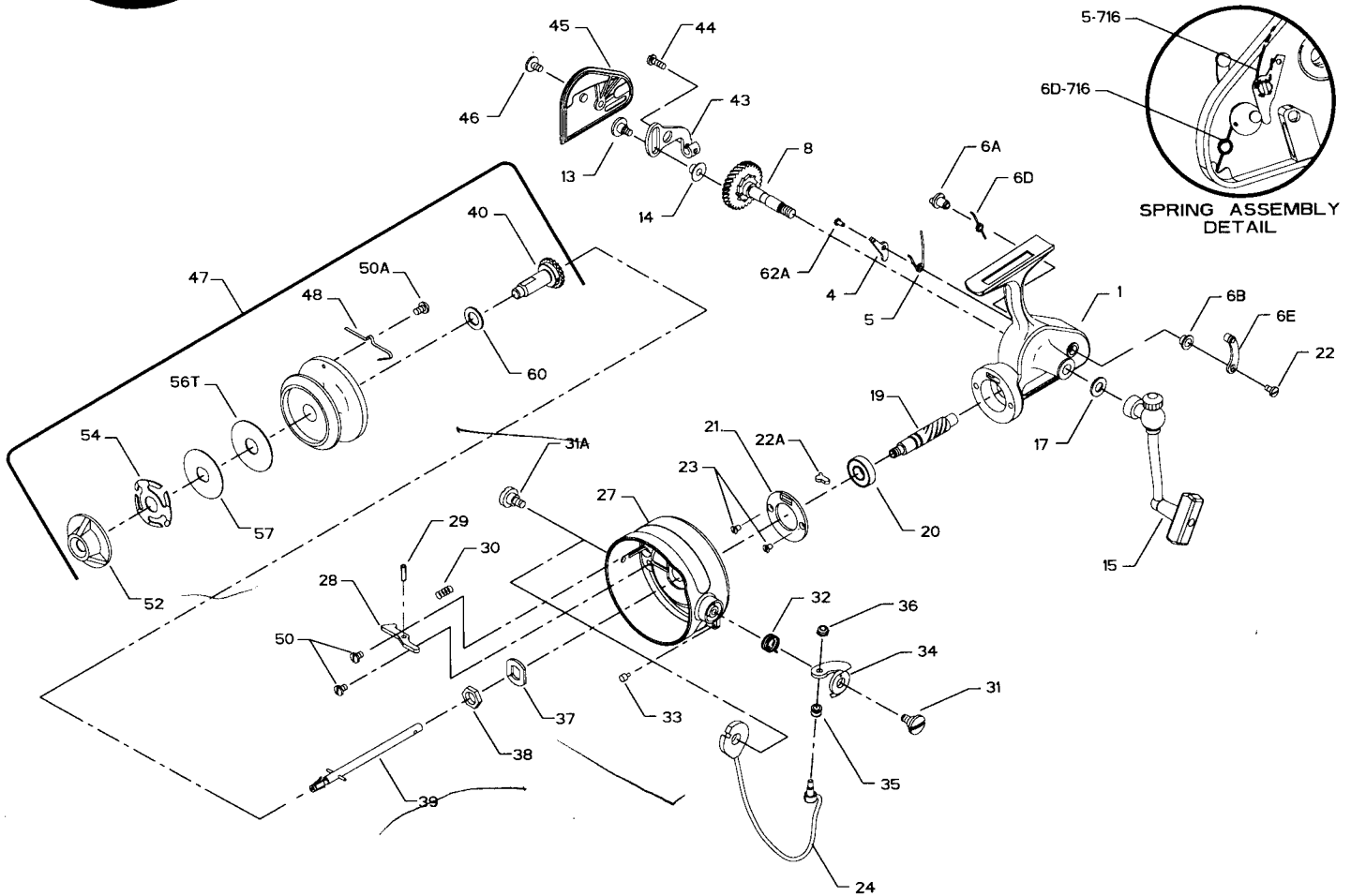




PARTS AND PRICE LIST FOR MODEL 714Z



Key No.	Part No.	Description	Price	Key No.	Part No.	Description	Price
1	1-714Z	Housing w/Bushing	\$11.25	31A	31A-716	Bail Screw	\$1.00
4	4-716	Dog	.80	32	32-716	Bail Spring	.90
5	5-716	Dog Spring	.40	33	33R-712	Bail Arm Bumper	.40
6A	6A-716	Eccentric	1.10	34	34-716	Bail Arm	1.80
6B	6B-700Z	Eccentric Liner	.40	35	35-716	Line Roller	2.65
6D	6D-716	Eccentric Spring	.40	36	36-700	Bail Lock Nut	.80
6E	6E-716	Eccentric Lever	.90	37	37-716	Rotor Cup Washer	.45
8	8-716	Main Gear Ratchet and Shaft	8.25	38	38-720	Rotor Cup Nut	.50
13	13-716	Crosswind Screw	.50	39	39-716	Spool Shaft	3.15
14	14-716	Crosswind Roller	.45	40	40-716	Spool Sleeve	2.70
15	15-714Z	Handle (Complete)	6.60	43	43-716	Crosswind Arm	1.50
17	17-716	Handle Washer	.50	44	44-716	Crosswind Shaft Screw	.40
19	19-716	Pinion Gear	8.05	45	45-714Z	Housing Plate	2.25
20	20-722	Pinion Bearing	12.95	46	46-716	Housing Plate Screw	.50
21	21-716	Bearing Retainer	1.50	47	47-714Z	Spool (Complete)	12.05
22	22-109	Eccentric Screw	.50	48	48-714	Click Spring	.45
22A	22-716	Bail Release Ramp	1.00	50	50-712	Release Arm Screw (2 req.)	.50
23	23-716	Bearing Retainer Screw (2 req.)	.40	50A	50-716	Click Spring Screw	.45
24	24-714	Bail Wire	5.80	52	52-714Z	Drag Knob	2.35
27	27-714Z	Rotor Cup	8.10	54	54-714	Drag Spring	2.05
28	28-714	Bail Release Arm	1.10	56T	56T-714	Drag Washer (Teflon®)	.80
29	29-716	Release Arm Pin	.40	57	57-430	Metal Keyed Washer	.60
30	30-716	Arm Release Spring	.40	60	60-716	Rear Drag Washer	.45
31	31-716	Bail Arm Screw	1.00	62A	62A-716	Dog Screw	.40